



MG3 USB Mini Gateway

Your Portable Partner for Tags.



MG3 USB Mini Gateway, powered by USB, is a plug-and-play Bluetooth® Wi-Fi gateway, which is ideal for data transmission and collection of Bluetooth® devices. The collected Bluetooth device signals are encapsulated into JSON packets and sent over Wi-Fi. Users can remotely monitor Bluetooth devices on the cloud platform for typical uses. A system with MG3 can lower the cost and improve efficiency while maintaining precision, making it suitable for being deployed in logistics, healthcare, office, and other scenarios.

FEATURES



Plug and play & quick setup



Small and swift & flexible installation



High throughput & data filterable



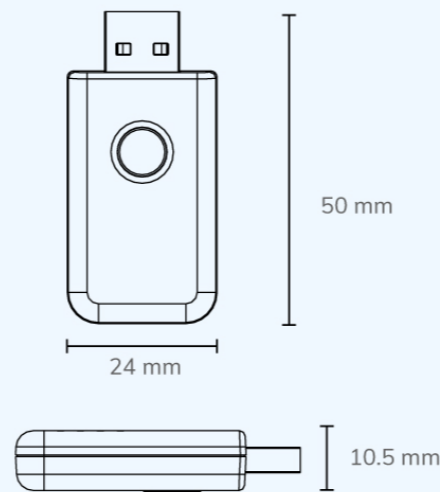
Strong compatibility & easy integration



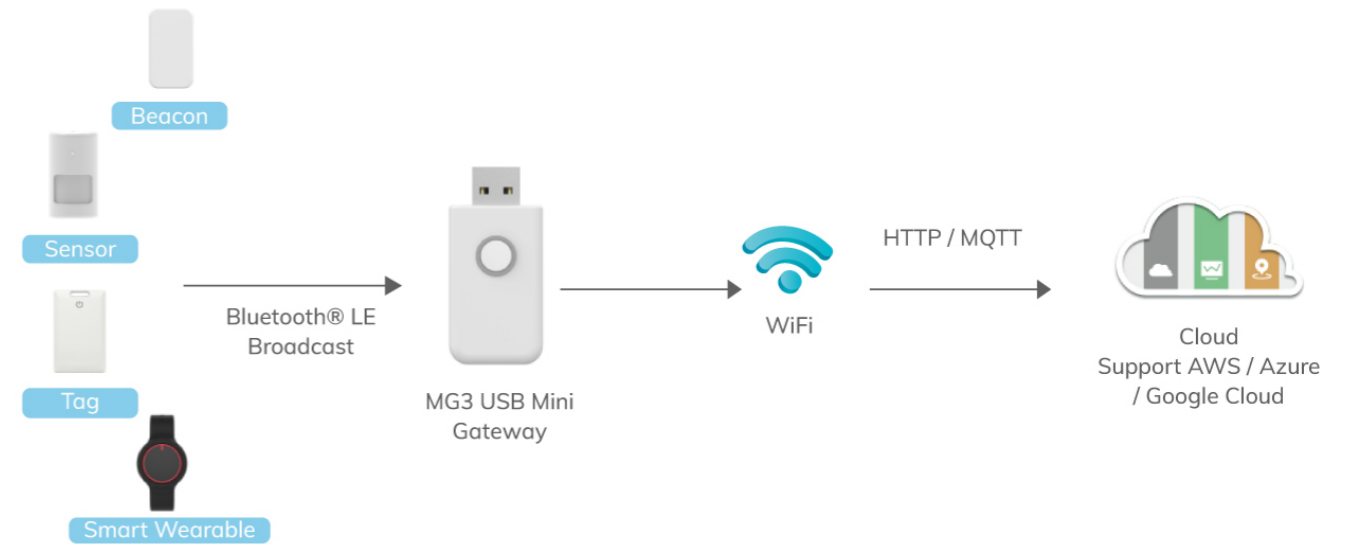
Secure data transmission

MG3 BASIC PARAMETERS

Color:	White
Dimensions (L*W*H):	50 * 24 * 10.5 mm
Material:	ABS
Weight:	9 g
Power Supply:	USB powered
Bluetooth Version:	Bluetooth® LE 5.0
Number of Received Broadcast Packets:	70 packets/second
Working Temperature:	-20 C ~ 55 C
Scan Coverage:	70 meters of covered radius



HOW IT WORKS



- 1 Deploy Bluetooth beacons, sensors, and MG3 gateways according to demands.
- 2 Turn on Bluetooth beacons, sensors, and gateways, and configure the gateway parameters through the App Gateway Configurer.
- 3 The MG3 gateway scans Bluetooth signals and collects data, and uploads to the corresponding server through different network protocols.
- 4 After the data is parsed on the server, users can process and analyze to attain functions such as environmental monitoring and asset management.

*Please base on SDKs provided by cloud services vendors to do further developments and testings if you need more cloud service features as listed.

BENEFITS



Data collection

- Real-time data collection and upload
- 70 data packets collected per second
- Accurate receiving and effective filtering



Bluetooth device management

- Compatible with various Bluetooth devices
- Tags, sensors and more under centralized control



Highly secured and reliable

- Data transmission under security protocols
- High data security



Easy to set up

- Lightweight and portable
- OTA upgrade supported, easy maintenance
- Powered by USB on the computer, power bank, and more

MINEW PROVIDES



Free Beacon Configuring APP in Google Play & APP Store(BeaconSET+)



Firmware, APP, Cloud SDK is available



Pre-configure UUID, Major, Minor and etc before the shipment



Software, Hardware, Mold, Package can be customized



Global Service and Technical Support