



MBM01 Ultra-Long Range Beacon



The Longer Range. The Bigger Battery. MBM01, a Bluetooth location beacon, is one of our most capable beacons with a super long range and a larger battery capacity than the average. MBM01 has an extremely transmission distance of up to 1,968ft(600m) or more (in open areas) at a 125Kbps setting, and it can be reasonably deployed in public places such as airports and railway stations to manage human traffic and respond to emergency circumstances by cooperating with the BLE gateway. With nRF52833 chip supporting Direction Finding, high-throughput 2 Mbps, Mesh, Thread, and Zigbee protocols, MBM01 can be developed as an ideal for delivering a wide range of commercial and industrial applications. The optimized structure makes the beacon water resistant level of IP67. MBM01 Industrial Beacon's simplicity reaches new levels.

TYPICAL USE CASES



Smart Airport



Smart Retail



Smart Hospital

FEATURES

Longer Range



Super Long Work Life



BLE 5.1 & nRF52833
(nRF52840 Optional)



IP67 Waterproof &
Dustproof



Compatible with
1Mbps / 125Kbps



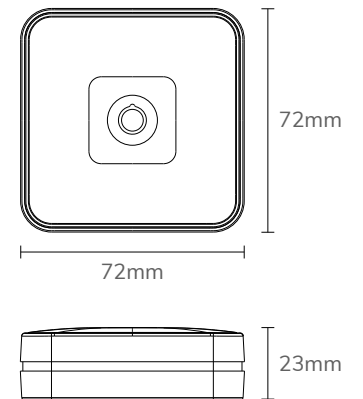
External Opera-
tion Button



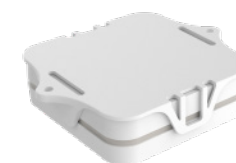
Demo Cloud
Platform & API
Available

MBM01 BASIC PARAMETERS

Color:	White
Dimensions (L*W*H):	72*72*23mm
Material:	Plastic PC+ABS
Weight:	129g / 153.4g (Depend on the battery)
IP Certified:	IP67 Waterproof & Dustproof
Battery:	Lithium; 10800mAh
Bluetooth Protocol:	iBeacon & Eddystone & Minew Sensor
Sensors	Accelerometer Optional
Operating Temperature:	-20°C~65°C / -18~50°C (Depend on the battery)



Easy to install with flexible installation options



Screw bracket



Double-side adhesive

MINEW PROVIDES



Free Beacon
Configuring APP in
Google Play & APP
Store(BeaconSET+)



Firmware, APP,
Cloud SDK is
available



Pre-configure UUID,
Major, Minor and etc
before the shipment



Software, Hardware,
Mold, Package can
be customized



Global Service and
Technical Support