



MG5 Outdoor Mobile LTE Gateway

All-in-One Connectivity.

MG5 Outdoor Mobile LTE Gateway serves as a constant companion to assets throughout the supply chain, collecting Bluetooth data and uploading it in real-time to your cloud. It converts vehicle activities into actionable insights for your solutions to boost your business and even revolutionizes supply chain management by ensuring sustained real-time visibility, based on Bluetooth tech, LTE-M & NB-IoT communications, and GPS tracking.



LTE-M NB-IoT LTE Cat.1 Bluetooth GPS

FEATURES ▶



LTE-M / NB-IoT



Bluetooth data collection & filtering



GPS / BDS Dual-Mode



Gateway / tracker mode



Automatic reconnection



Data saved in network-off



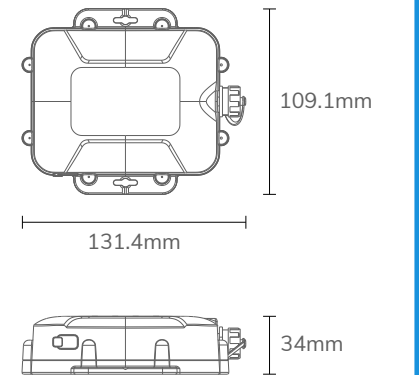
Data security (SSL/TLS)

SEAMLESS SOLUTIONS FOR DIVERSE SCENARIOS ▶



MG5 BASIC PARAMETERS

Material:	PC (UV radiation resistance)
Color:	Black & grey
Protection:	IP68 rating, IK10
GNSS module:	Outdoor GPS / BDS
Sensor:	Accelerometer (motion detection) Temp sensor Barometer (optional)
Operating temperature:	-20~70°C
Bluetooth scanning range:	328 ft (100 m) or above
Battery:	Rechargeable lithium battery
AWS cloud service:	Supported
SDK:	Supported (for data parsing in client server)
Software OTA:	Supported
Configuration:	Supported
MQTT:	Supported



MINEW PROVIDES ▶



Free Beacon Configuring APP in Google Play & APP Store(BeaconSET+)



Firmware, APP, Cloud SDK is available



Pre-configure UUID, Major, Minor and etc before the shipment



Software, Hardware, Mold, Package can be customized



Global Service and Technical Support