



P1 Plus Robust Location Beacon

Built for Durability

P1 Plus Robust Location Beacon is extraordinarily durable, with high waterproof and shockproof for location and tracking in a variety of harsh environments. P1 Plus is capable of solving the industrial issues on insufficient working efficiency in finding objects, allocating resources, intelligent tracking and monitoring, and especially suitable for use in wet, ultra cold and high temperature applications.

AVAILABLE NOW

*P1 Robust Location Beacon, without acceleration & temperature sensors, is also available.



Durable in harsh environments



Bluetooth 5.0



Support ACC & temperature sensors



Long battery lifetime



Broadcast range of 70m



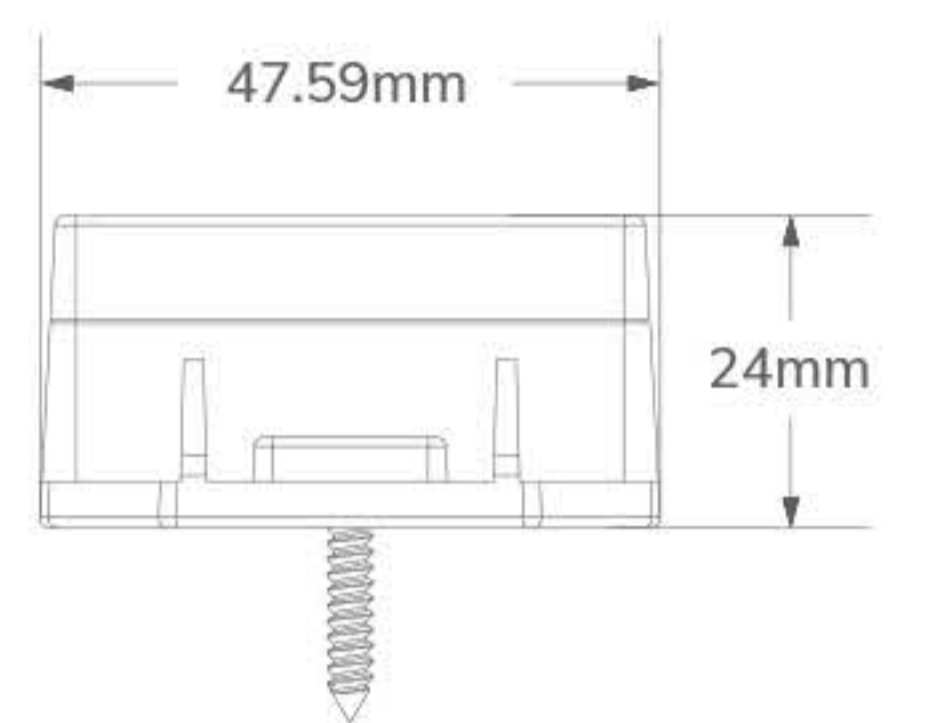
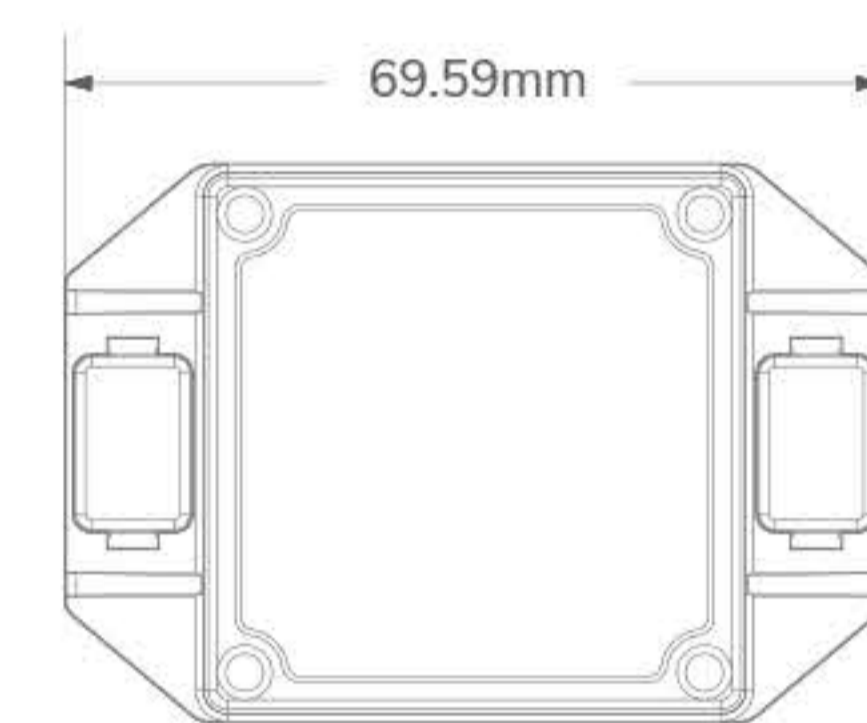
Magnetic switch



Flexible deployment & solid installation



Customized configuration



Accessories

Parts Diagram				
Parts Name	P1 Plus *1	Screw *2	Expansion plug *2	Magnet *1

Typical use-cases



Vehicle Management

Optimize the managements of vehicle presence, maintenance and care, reservation, etc. with P1 Plus on the vehicle, and improve the utilization of vehicles based on the vehicles' status.



Warehouse Management

Equipped shelves and goods with P1 Plus, warehouse clerks can locate the tagged items in real-time, and record the details of the goods, such as its type, storage time and inventory, accelerating intelligent information management.



Indoor Positioning

P1 Plus helps optimize visitor experience in indoor positioning and navigation. For example, visitors can get an e-map of the building on their phones to locate themselves, and select the best route to the destinations.



Asset Management

As for the heavy instruments and assets with special requirements on temperature, P1 Plus can deliver real-time location of the assets, improving workflow.



Temperature Monitoring

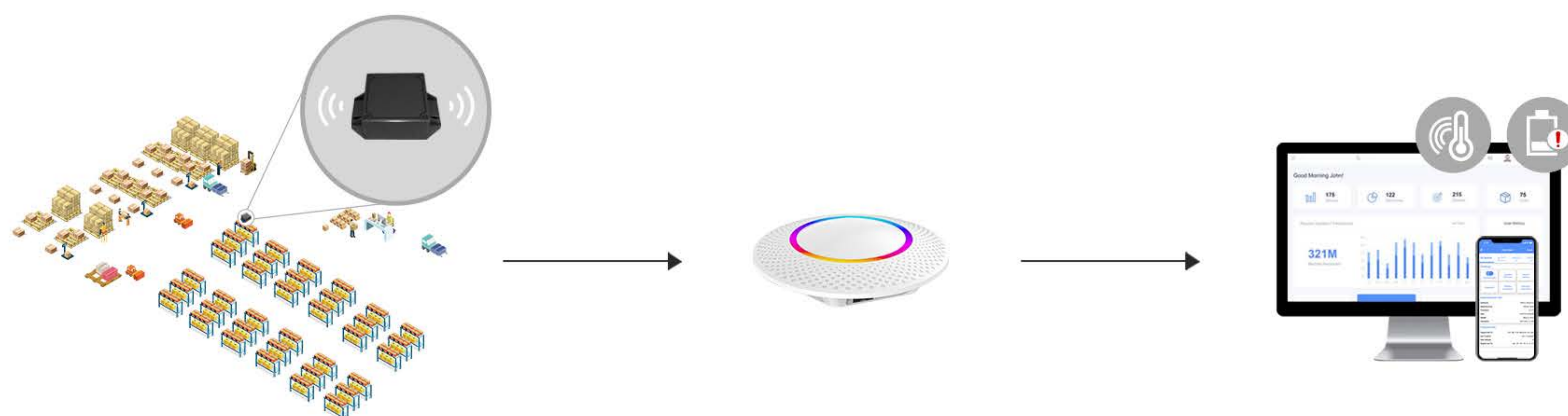
With temperature sensor, P1 Plus can work for food and beverage temperature detection, ensuring stable transport and storage to cut down manual monitoring costs.



Logistics Transportation

Fixed on high value fragile goods to monitor shock patterns, P1 Plus can achieve seamless indoor and outdoor monitoring via Bluetooth 5.0 signal if anything happens.

How it works



- 1 Install P1 Plus on the targeted assets or points
- 2 Bluetooth signal receivers receive the signal broadcast by P1 Plus
- 3 The received data sent to the Cloud for real-time monitoring and emergency processing