



Small-sized nRF52805 Module MS46SF11 Specification



MS46SF11 is a compact size (15.8 x 12.0 x 2.0 mm), highly flexible, ultra-low power wireless BLE 5.0 Module based on nRF52805 SoCs; Its powerful 32-bit ARM Cortex® M4 CPU, a 192kB flash memory, a 24kB RAM and integrating a 2.4 GHz transceiver can offer the perfect solution for Bluetooth connectivity.

Features

Frequency: 2400 to 2483 MHz
Max. Output power: +4dBm
Single power supply: 1.7 – 3.6V
Range: up to 60 meters in open space
Chip: nRF52805 (Nordic)
GPIO Quantity: 6
192KB Flash and 24KB RAM (nRF52805)
Module size: 15.8 x 12.0 x 2.0 mm
ARM Cortex-M4 processor
Metal shielding with marking
UART communication protocol (Slave optional)
Antenna: PCB
Operating Temperature range: -40 to 80 degree Celsius

Certification

FCC ID: 2ABU6-MS46SF1
CE ID: CQASZ20200700697E
RoHs: C200713086001

Application

Medical devices
Heart rate monitor
Blood pressure monitor
Blood glucose meter
Thermometer
Sport facilities
Weighing machine
Sports and fitness sensors
Accessories
3D glasses and gaming controller
Mobile accessories
Remote controllers / Toys
Electronic devices
Cycle computer

Revision history

Version	Date	Notes	Contributor (s)	Person of Approve
1.0	2020.6.5	First edition	Eddie	Coral

Index

Revision history.....	2
1. Product introduction.....	4
1.1 Ordering information.....	4
2. Pin description.....	5
2.1 Pin assignment.....	5
2.2 Pin definition.....	5
2.4 Mechanical drawing.....	6
3. Electrical specification.....	7
3.1 Absolute maximum ratings.....	7
3.3 Electronic characteristic.....	8
3.3.1 General radio characteristics.....	8
3.3.2 Radio current consumption (Transmitter).....	8
3.3.3 Radio current consumption (Receiver).....	9
3.3.4 Transmitter specification.....	9
3.3.5 Receiver operation.....	10
3.3.6 RX selectivity.....	11
3.3.7 RX intermodulation.....	12
3.3.8 Radio timing.....	12
3.3.9 Received signal strength indicator (RSSI) specifications.....	13
4. Electrical schematic.....	14
5. Package information.....	15
5.1 Package dimension.....	15
5.2 Mark on metal shield.....	16
6. Reflow and soldering.....	16
7. Certification.....	17
8. Notes & cautions.....	18
8.1 Design notes.....	18
8.2 Layout notes.....	18
8.3 Installation and soldering.....	19
8.4 Handling and storage	19
8.5 Life support applications	20
9. Disclaimer.....	20
10. Contact information.....	21

1. Product introduction

MS46SF11 is a ultra small size (15.8 x 12.0 x 2.0 mm), highly flexible, ultra-low power wireless BLE 5.0 Module based on nRF52805 SoCs; Its powerful 32-bit ARM Cortex™ M4 CPU, a 192KB flash memory, a 24KB RAM and integrating a 2.4 GHz transceiver can offer the perfect solution for Bluetooth connectivity.

MS46SF11 can meet the most demanding applications, it allows faster time to market with high performance, low power management and reduced development cost. Also, its range is estimated up to 60 meters in open space.

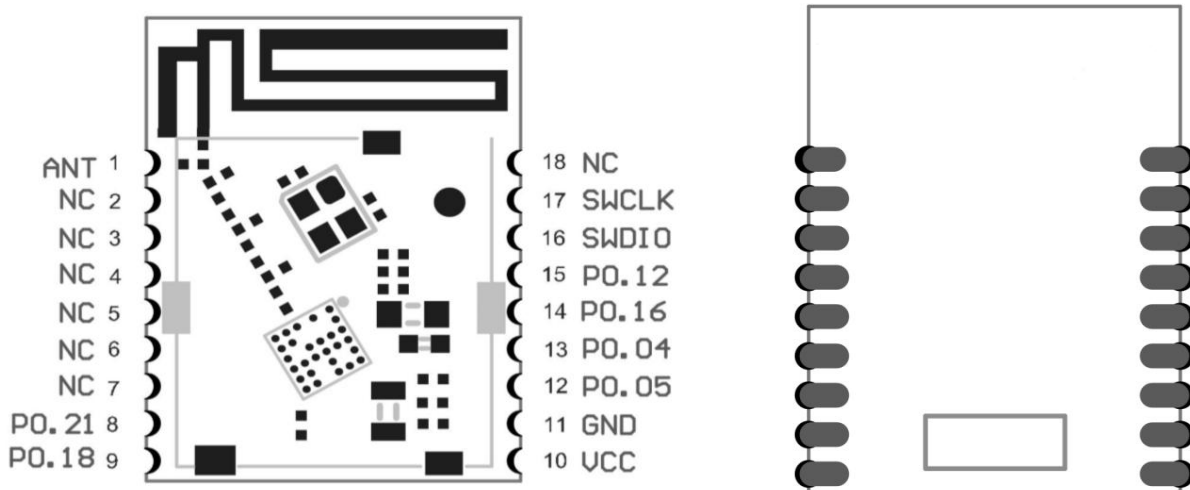
1.1 Ordering information

Ordering number	Description
MS46SF11-001	306030112, nRF52805-CAAA BT 5.0 Module, PCB Antenna, Reel pack

2. Pin description

2.1 Pin assignment

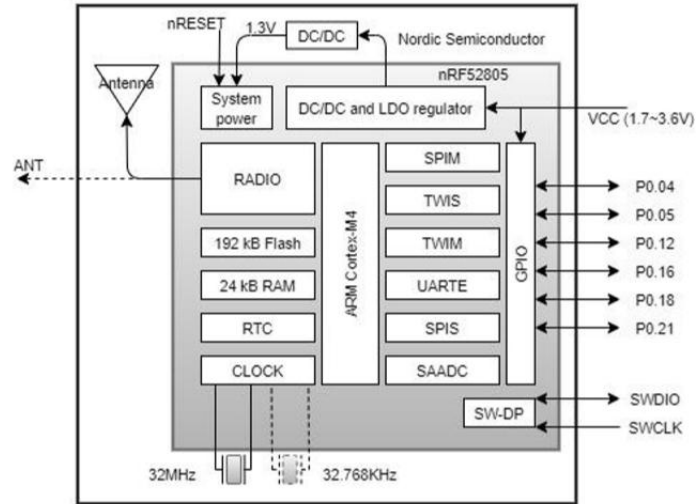
2.1.1 MS46SF11 PCB Antenna



2.2 Pin definition

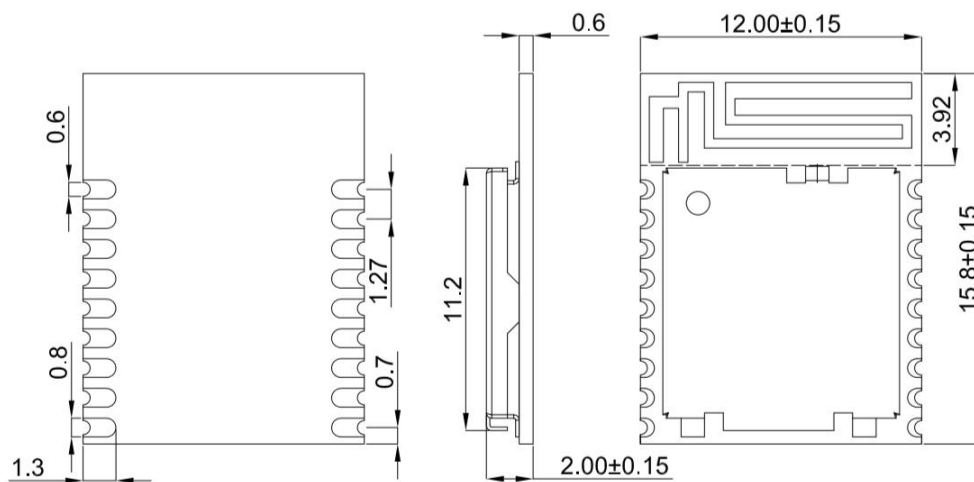
Symbol	Definition	Description
Pin 1	ANT	Connect pin for external antenna
Pin 2 to Pin 7	NC	
Pin 8	P0.21	UART TX
Pin 9	P0.18	UART RX
Pin 10	VCC	VCC
Pin 11	GND	GND
Pin 12	P0.05	CON_IND
Pin 13	P0.04	FIFO_FULL
Pin 14	P0.16	SLP
Pin 15	P0.12	BTDATA
Pin 16	SWDIO	Serial wire debug I/O for debug and programming
Pin 17	SWCLK	Serial wire debug clock input for debug and programming
Pin 18	NC	

2.3 Block diagram



2.4 Mechanical drawing

2.4.1 MS46SF11 PCB Antenna



Unit: mm

Tolerance: +/- 0.1, default

3. Electrical specification

The electrical specifications of the module are directly related to the Nordic semiconductor Specifications for the nRF52805 chipset. The below information is only the extract from nRF52805 specification. For more detailed information, please refer to the up-to-date specification of the chipset available on the Nordic semiconductor website

3.1 Absolute maximum ratings

Note	Min.	Max.	Unit
Supply voltages			
VDD	-0.3	+3.9	V
VSS		0	V
I/O pin voltage			
$V_{I/O}, VDD \leq 3.6\text{ V}$	-0.3	$VDD + 0.3\text{V}$	V
$V_{I/O}, VDD > 3.6\text{ V}$	-0.3	3.9V	V
Environmental WLCSP package			
Storage temperature	-40	+125	°C
MSL(moisture sensitivity level)		1	
ESD HBM(Human Body Model)		3	kV
ESD HBM Class(Human Body Model Class)		2	
ESD CDM(Charged Device Model)		1	kV
Flash Memory			
Endurance	10 000		write/erase cycles
Retention at 85 °C	10		years

Important: Maximum ratings are the extreme limits to which the chip can be exposed for a limited amount of time without permanently damaging it. Exposure to absolute maximum ratings for prolonged periods of time may affect the reliability of the device.³⁵

3.2 Recommended operating conditions

The operating conditions are the physical parameters that the chip can operate within.

Symbol	Parameter	Notes	Min.	Nom.	Max.	Units
VDD	Supply voltage, independent of DCDC enable		1.7	3.0	3.6	V
T _{R,VDD}	Supply rise time (0 V to 1.7 V)				60	ms
TA	Operating temperature		-40	25	85	°C

Important: The on-chip power-on reset circuitry may not function properly for rise times longer than the specified maximum.

3.3 Electronic characteristic

3.3.1 General radio characteristics

Symbol	Description	Min.	Typ.	Max.	Units
f _{OP}	Operating frequencies	2360		2500	MHz
f _{PLL,CH,SP}	PLL channel spacing		1		MHz
f _{DELTA,1M}	Frequency deviation @ 1 Msps		± 170		kHz
f _{DELTA,BLE,1M}	Frequency deviation @ BLE 1 Msps		± 250		kHz
f _{DELTA,2M}	Frequency deviation @ 2 Msps		± 320		kHz
f _{DELTA,BLE,2M}	Frequency deviation @ BLE 2 Msps		± 500		kHz
F _{SKBPS}	On-the-air data rate	1000		2000	ksps

3.3.2 Radio current consumption (Transmitter)

Symbol	Description	Min.	Typ.	Max.	Units
I _{TX,PLUS4dBm,DCDC}	TX only run current(DCDC,3V) _{P_{RF}=+4 dBm}		7.0		mA
I _{TX,PLUS4dBm}	TX only run current _{P_{RF}=+4 dBm}		15.4		mA
I _{TX,0dBm,DCDC}	TX only run current(DCDC,3V) _{P_{RF}=0 dBm}		4.6		mA

$I_{TX,0dBm}$	TX only run current $P_{RF}=0$ dBm		10.1		mA
$I_{TX,MINUS4dBm,DCDC}$	TX only run current DCDC,3V $P_{RF}=-4$ dBm		3.6		mA
$I_{TX,MINUS4dBm}$	TX only run current $P_{RF}=-4$ dBm		7.8		mA
$I_{TX,MINUS8dBm,DCDC}$	TX only run current DCDC,3V $P_{RF}=-8$ dBm		3.2		mA
$I_{TX,MINUS8dBm}$	TX only run current $P_{RF}=-8$ dBm		6.8		mA
$I_{TX,MINUS12dBm,DCDC}$	TX only run current DCDC,3V $P_{RF}=-12$ dBm		2.9		mA
$I_{TX,MINUS12dBm}$	TX only run current $P_{RF}=-12$ dBm		6.2		mA
$I_{TX,MINUS16dBm,DCDC}$	TX only run current DCDC,3V $P_{RF}=-16$ dBm		2.7		mA
$I_{TX,MINUS16dBm}$	TX only run current $P_{RF}=-16$ dBm		5.7		mA
$I_{TX,MINUS20dBm,DCDC}$	TX only run current DCDC,3V $P_{RF}=-20$ dBm		2.5		mA
$I_{TX,MINUS20dBm}$	TX only run current $P_{RF}=-20$ dBm		5.4		mA
$I_{TX,MINUS40dBm,DCDC}$	TX only run current DCDC,3V $P_{RF}=-40$ dBm		2.1		mA
$I_{TX,MINUS40dBm}$	TX only run current $P_{RF}=-40$ dBm		4.3		mA
$I_{START,TX,DCDC}$	TX start-up current DCDC,3V $P_{RF}=4$ dBm	mA
$I_{START,TX}$	TX start-up current $P_{RF}=4$ dBm	mA

3.3.3 Radio current consumption (Receiver)

Symbol	Description	Min.	Typ.	Max.	Units
$I_{RX,1M,DCDC}$	RX only run current (DCDC, 3V) 1Mbps / 1Mbps BLE		4.6		mA
$I_{RX,1M}$	RX only run current (LDO, 3 V) 1Mbps / 1Mbps BLE		10.0		mA
$I_{RX,2M,DCDC}$	RX only run current (DCDC, 3V) 2Mbps / 2Mbps BLE		5.2		mA
$I_{RX,2M}$	RX only run current (LDO, 3 V) 2Mbps / 2Mbps BLE		11.2		mA
$I_{START,RX,1M,DCDC}$	RX start-up current (DCDC 3V) 1Mbps/1Mbps BLE		3.5		mA
$I_{START,RX,1M}$	RX start-up current 1Mbps/1Mbps BLE		6.7		mA

3.3.4 Transmitter specification

Symbol	Description	Min.	Typ.	Max.	Units
P_{RF}	Maximum output power		4.0		dBm

P_{RFC}	RF power control range		24		dB
P_{RFCR}	RF power accuracy			± 4	dB
$P_{RF1,1}$	1st Adjacent Channel Transmit Power 1 MHz (1 Mbps)		-25		dBc
$P_{RF2,1}$	2nd Adjacent Channel Transmit Power 2 MHz (1 Mbps)		-50		dBc
$P_{RF1,2}$	1st Adjacent Channel Transmit Power 2 MHz (2 Mbps)		-25		dBc
$P_{RF2,2}$	2nd Adjacent Channel Transmit Power 4 MHz (2 Mbps)		-50		dBc

3.3.5 Receiver operation

Symbol	Description	Min.	Typ.	Max.	Units
$P_{RX,MAX}$	Maximum received signal strength at < 0.1% BER		0		dBm
$P_{SENS,IT,1M}$	Sensitivity, 1Msps nRF mode mode ideal transmitter ¹⁴		-94		dBm
$P_{SENS,IT,2M}$	Sensitivity, 2 Mbps nRF mode ideal transmitter ¹⁴		-91		dBm
$P_{SENS,IT,SP,1M,BLE}$	Sensitivity, 1 Mbps BLE ideal transmitter, packet length ≤ 37 bytes BER=1E-3 ¹⁵		-97		dBm
$P_{SENS,IT,LP,1M,BLE}$	Sensitivity, 1 Mbps BLE ideal transmitter, packet length ≥ 128 bytes BER=1E-4 ¹⁶		-96		dBm
$P_{SENS,IT,SP,2M,BLE}$	Sensitivity, 2 Mbps BLE ideal transmitter, packet length ≤ 37 bytes		-94		dBm

¹ Typical sensitivity applies when ADDR0 is used for receiver address correlation. When ADDR[1...7] are used for receiver address correlation, the typical sensitivity for this mode is degraded by 3dB.

² As defined in the Bluetooth Core Specification v4.0 Volume 6: Core System Package (Low Energy Controller Volume)

³ Equivalent BER limit < 10E-04

⁴ Desired signal level at PIN = -67 dBm. One interferer is used, having equal modulation as the desired signal. The input power of the interferer where the sensitivity equals BER = 0.1% is presented.

3.3.6 RX selectivity

Symbol	Description	Min.	Typ.	Max.	Units
$C/I_{1M,co-channel}$	1Msps mode, Co-Channel interference		9		dBm
$C/I_{1M,-1MHz}$	1 Msps mode, Adjacent (-1 MHz) interference		-2		dBm
$C/I_{1M,+1MHz}$	1 Msps mode, Adjacent (+1 MHz) interference		-10		dBm
$C/I_{1M,-2MHz}$	1 Msps mode, Adjacent (-2 MHz) interference		-19		dBm
$C/I_{1M,+2MHz}$	1 Msps mode, Adjacent (+2 MHz) interference		-42		dBm
$C/I_{1M,-3MHz}$	1 Msps mode, Adjacent (-3 MHz) interference		-38		dBm
$C/I_{1M,+3MHz}$	1 Msps mode, Adjacent (+3 MHz) interference		-48		dB
$C/I_{1M,\pm 6MHz}$	1 Msps mode, Adjacent (≥ 6 MHz) interference		-50		dB
$C/I_{1MBLE,co-channel}$	1 Msps BLE mode, Co-Channel interference		6		dB
$C/I_{1MBLE,-1MHz}$	1 Msps BLE mode, Adjacent (-1 MHz) interference		-2		dB
$C/I_{1MBLE,+1MHz}$	1Msps BLE mode, Adjacent (+1 MHz) interference		-9		dB
$C/I_{1MBLE,-2MHz}$	1Msps BLE mode, Adjacent (-2 MHz) interference		-22		dB
$C/I_{1MBLE,+2MHz}$	1Msps BLE mode, Adjacent (+2 MHz) interference		-46		dB
$C/I_{1MBLE,>3MHz}$	1Msps BLE mode, Adjacent (≥ 3 MHz) interference		-50		dB
$C/I_{1MBLE,image}$	Image frequency Interference -22 dB		-22		dB
$C/I_{1MBLE,image,1MHz}$	Adjacent (1 MHz) interference to in-band image frequency		-35		dB
$C/I_{2M,co-channel}$	2 Msps mode, Co-Channel interference		10		dB
$C/I_{2M,-2MHz}$	2 Msps mode, Adjacent (-2 MHz) interference		6		dB
$C/I_{2M,+2MHz}$	2 Msps mode, Adjacent (+2 MHz) interference		-14		dB
$C/I_{2M,-4MHz}$	2 Msps mode, Adjacent (-4 MHz) interference		-20		dB
$C/I_{2M,+4MHz}$	2 Msps mode, Adjacent (+4 MHz) interference		-44		dB
$C/I_{2M,-6MHz}$	2 Msps mode, Adjacent (-6 MHz) interference		-42		dB
$C/I_{2M,+6MHz}$	2 Msps mode, Adjacent (+6 MHz) interference		-47		dB
$C/I_{2M,\geq 12MHz}$	2 Msps mode, Adjacent (≥ 12 MHz) interference		-52		dB

$C/I_{2M_{BLE,co-channel}}$	2 Msps BLE mode, Co-Channel interference		6		dB
$C/I_{2M_{BLE,-2MHz}}$	2 Mbps BLE mode, Adjacent (-2 MHz) interference		-2		dB
$C/I_{2M_{BLE,+2MHz}}$	2 Mbps BLE mode, Adjacent (+2 MHz) interference		-12		dB
$C/I_{2M_{BLE,-4MHz}}$	2 Mbps BLE mode, Adjacent (-4 MHz) interference		-22		dB
$C/I_{2M_{BLE,+4MHz}}$	2 Msps BLE mode, Adjacent (+4 MHz) interference		-46		dB
$C/I_{2M_{BLE,\geq 6MHz}}$	2 Msps BLE mode, Adjacent (≥ 6 MHz) interference		-50		dB
$C/I_{2M_{BLE,image}}$	Image frequency Interference		-29		dB
$C/I_{2M_{BLE,image,2MHz}}$	Adjacent (2 MHz) interference to in-band image frequency		-44		dB

3.3.7 RX intermodulation

Symbol	Description	Min.	Typ.	Max.	Units
$P_{IMD,5TH,1M}$	IMD performance, 1 Mbps, 5th offset channel, packet length ≤ 37 bytes		-33		dBm
$P_{IMD,5TH,1M,BLE}$	IMD performance, BLE 1 Mbps, 5th offset channel, packet length ≤ 37 bytes		-30		dBm
$P_{IMD,5TH,2M}$	IMD performance, 2 Mbps, 5th offset channel, packet length ≤ 37 bytes		-33		dBm
$P_{IMD,5TH,2M,BLE}$	IMD performance, BLE 2 Mbps, 5th offset channel, packet length ≤ 37 bytes		-31		dBm

3.3.8 Radio timing

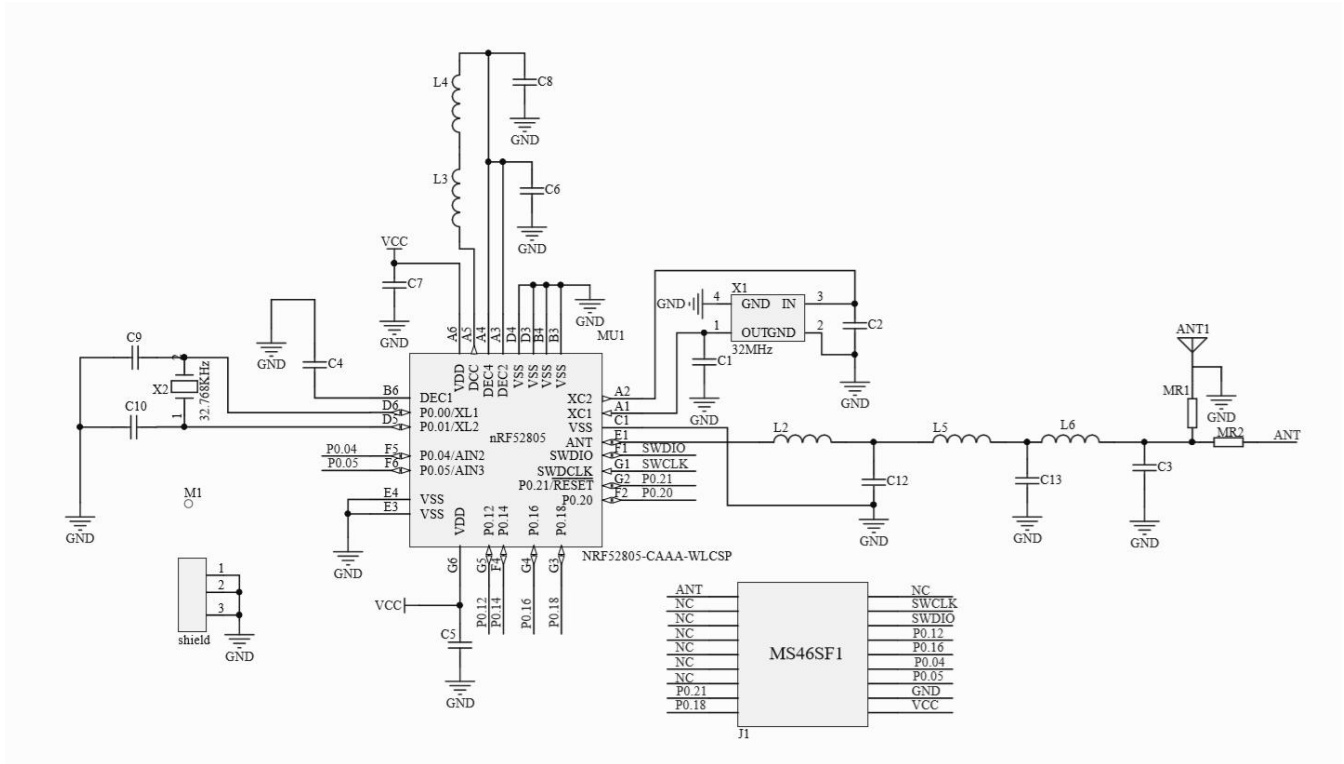
Symbol	Description	Min.	Typ.	Max.	Units
$T_{TXEN,BLE,1M}$	Time between TXEN task and READY event after channel FREQUENCY configured (1 Mbps BLE and 150 μ s TIFS)		140		μ s

$t_{TXEN,FAST,BLE,1M}$	Time between TXEN task and READY event after channel FREQUENCY configured (1 Mbps BLE with fast ramp-up and 150 μ s TIFS) FREQUENCY configured (Fast Mode)		40		μ s
$t_{TXDIS,BLE,1M}$	When in TX, delay between DISABLE task and DISABLED event for MODE = Nrf_1Mbit and MODE = Ble_1Mbit		6		μ s
$t_{RXEN,BLE,1M}$	Time between the RXEN task and READY event after channel FREQUENCY configured (1 Mbps BLE)		140		μ s
$t_{RXEN,FAST,BLE,1M}$	Time between the RXEN task and READY event after channel FREQUENCY configured (1 Mbps BLE with fast ramp-up)		40		μ s
$t_{RXDIS,BLE,1M}$	When in RX, delay between DISABLE task and DISABLED event for MODE = Nrf_1Mbit and MODE = Ble_1Mbit		0		μ s
$t_{TXDIS,BLE,2M}$	When in TX, delay between DISABLE task and DISABLED event for MODE = Nrf_2Mbit and MODE = Ble_2Mbit		4		μ s
$t_{RXDIS,BLE,2M}$	When in RX, delay between DISABLE task and DISABLED event for MODE = Nrf_2Mbit and MODE = Ble_2Mbit		0		μ s

3.3.9 Received signal strength indicator (RSSI) specifications

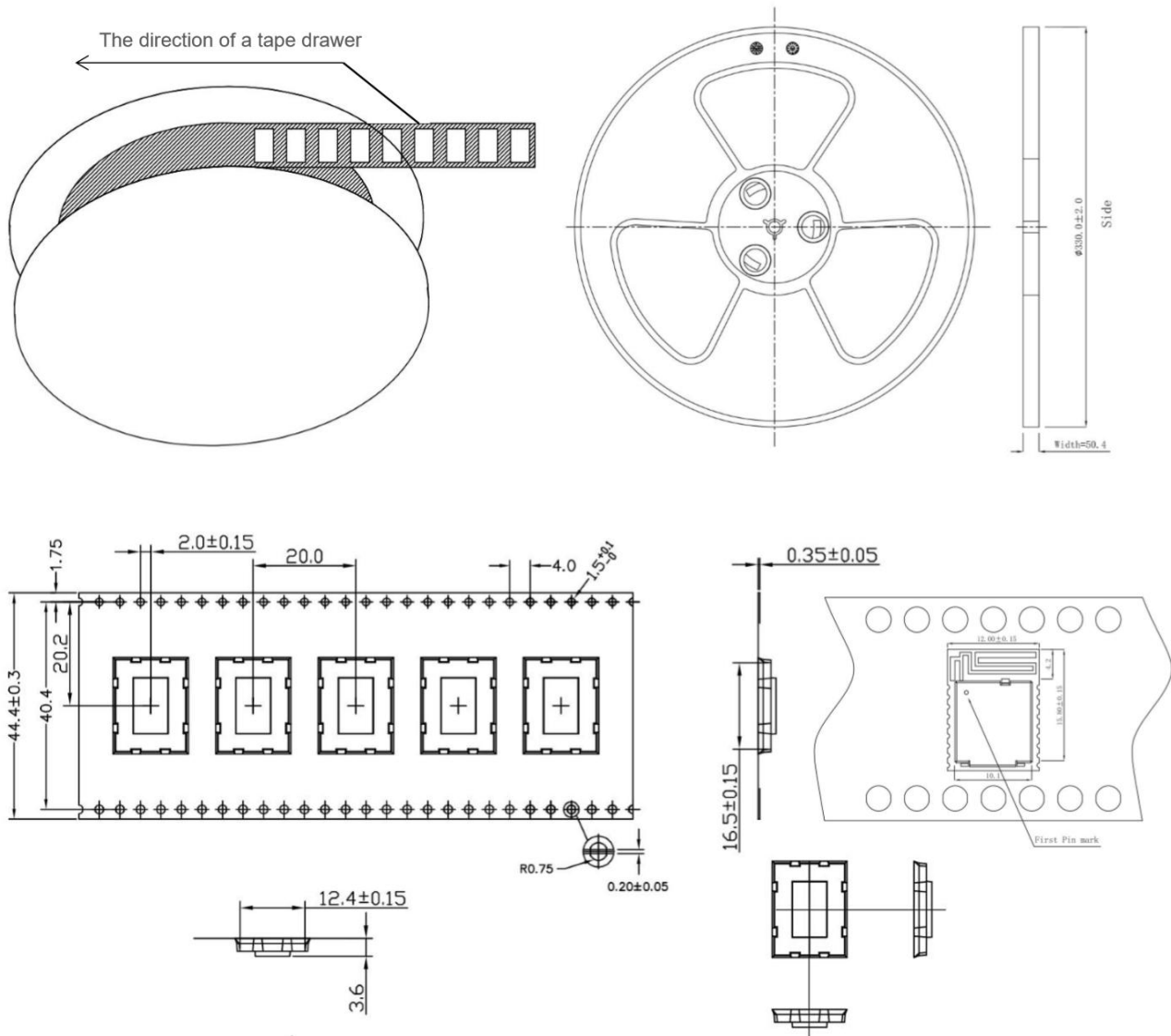
Symbol	Description	Min.	Typ.	Max.	Units
$RSSI_{ACC}$	RSSI Accuracy ¹⁸		± 2		dB
$RSSI_{RESOLUTION}$	RSSI resolution		1		dB
$RSSI_{PERIOD}$	RSSI sampling time from RSSI_START task		0.25		μ s
$RSSI_{SETTLE}$	RSSI settling time after signal level change		15		μ s

4. Electrical schematic



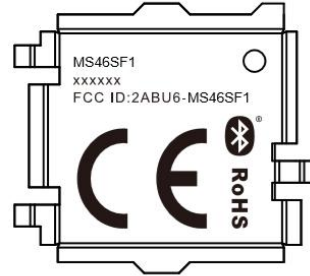
5.Package information

5.1 Package dimension



Details	Reel-MS46SF11
Quantity(module)	850PCS
Tape Weight	720g
Single module Weight	0.66g
Gross Weight	1021g
Dimension	W: 330mm T: 50.4mm

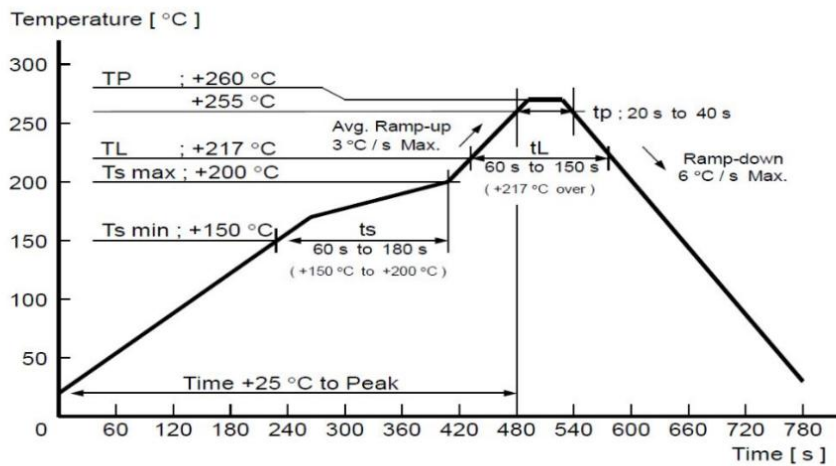
5.2 Mark on metal shield



6. Reflow and soldering

6.Reflow profile

Reflow condition (Follow of JEDEC STD-020D.01)



Profile Feature	Sn-Pb Assembly	Pb-Free Assembly
Solder Paste	Sn63/Pb37	Sn96.5/Ag3/Cu0.5
Preheat Temperature min (Tsmin)	100°C	150°C
Preheat Temperature max (Tsmax)	150°C	200°C
Preheat Time (Tsmin to Tsmax)(ts)	60-120 sec	60-120 sec
Average ramp-up rate (Tsmax to Tp)	3°C/second max	3°C/second max
Liquidous Temperature (TL)	183°C	217°C
Time (tL)Maintained Above (TL)	60-90 sec	30-90 sec
Peak Temperature (Tp)	220-235°C	230-250°C
Average ramp-down rate (Tp to Tsmax)	6°C/second max	6°C/second max
Time 25°C to peak temperature	6 minutes max	8 minutes max

7. Certification

7.1 CE Certification

MS46SF11 module is being tested and is expected to be compliant against the EU-Radio Equipment standards. OEM integrator should consult with qualified test house to verify all regulatory requirements have been met for their complete device.

7.2 FCC Certification

MS46SF11 module is being tested and is expected to be compliant against the Federal Communications Commission standards.

7.3 Environmental

7.3.1 RoHs

MS46SF11 modules are in compliance with Directive 2011/65/EU, 2015/863/EU of the European Parliament and the Council on the restriction of the use of certain hazardous substances in electrical and electronic equipment.

7.3.2 Reach

MS46SF11 modules listed below do not contain the 191 SVHC (Substance of Very High Concern), as defined by Directive EC/1907/2006 Article according to REACHAnnex XVII.

As for the OEM integration:

Only OEM integrator have right to intend this device under the following conditions:

Any other transmitter or antenna must not be co-located with the antenna and transmitter. The module shall be only used with the integral antenna(s) that has been originally tested and certified with this module.

As long as the two conditions below are met, further transmitter testing will not be required.

(1) This device may not cause harmful interference.

(2) This device must accept any interference received, including interference that may cause undesired operation.

However, the OEM integrator shall test their end-product for any additional compliance requirements with this module installed (for example, digital device emission, PC peripheral requirements, etc.).

If these conditions cannot be met (for example certain laptop configuration or co-location with another transmitter), then the FCC authorization for this module in combination with the host equipment is no longer considered valid and the final product shall not use the FCC ID of the module. In these circumstances, the OEM integrator shall be re-evaluating the end product (including the transmitter) and obtaining a separate FCC authorization.

The OEM shall be verifying end product compliance with FCC Part 15, sub-part B limits for unintentional radiators through an accredited test facility.

8. Notes & cautions

We cannot assure that the specification has no errors and omission even though this specification is under collate and check strictly.

This specification is under the protection of laws and regulations of copyright, please do not copy and duplicate at any form, or do not transmit part or full of this specification in any wire and wireless network in any form, or do not edit or translate to any other format, word, code, etc.

8.1 Design notes

(1) It is critical to following the recommendations of this document to ensure the module meets the specifications.

(2) The module should be placed at the edge of the circuit board as far as possible to keep away from other circuits.

(3) Antenna should be kept away from other circuits. It can prevent low radiation efficiency and the normal use of other circuits from being affected.

(4) The landing of components should be appropriate and that is better for reducing the parasitic inductance.

(5) Please refuse to supply voltage that is not within the range of specification.

(6) Please make sure the module or its surface may not suffer from the physical shock or extreme stress.

8.2 Layout notes

To make sure wireless performance is at its best condition, please layout the MS46SF11 module on the carrier board as below instructions and picture.

(1) Placement of the antenna

The antenna area of module shall lay clearance completely and should not be blocked by the metal. Otherwise it will have effect on antenna performance (As the picture indicated below).

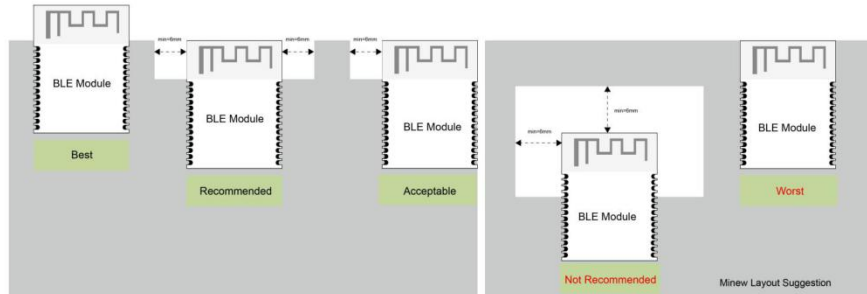
(2) Placement of top-layer

The placement of top-layer in carrier board shall be lay copper completely to reduce the signal line in carrier board or other interference.

(3) Clearance

The upper and below area of antenna (including the case) shall have 4mm or more than 4mm

clearance to reduce the influences for antenna.



*The Grey area above is Carrier board.

8.3 Installation and soldering

(1) Please do not lay copper under the module antenna. It can prevent the influence of signal radiation and the transmission distance from being affected.

8.4 Handling and storage

(1) Due to the fact that CMOS components are included in the module, it is better to eliminate static electricity at any methods when transporting or working with the module. Moreover, it is strongly recommended adding anti-ESD components to circuit design to hinder damage from real-life ESD events. Anti-ESD methods can be also used in mechanical design.



(2) Please store the modules within -40°C to $+125^{\circ}\text{C}$ before and after installation and make sure the modules is away from the direct sunlight exposure for a long duration. Modules should be far away from humid and salty air conditions, and any corrosive gasses or substances.

(3) Please not to wash the module. No-Clean Paste is used in production. The metal shield may be oxidized by the washing process and may lead to chemistry reaction with No-Clean Paste. If modules goes through the washing process, functions of the module may not guaranteed.

8.5 Life support applications

(1) The module is not design for life support device or system and not allowed to be used in destructive devices or system in any direct, or indirect ways. Minew is not responsible for compensation of any losses when applying modules under such application as described above.

(2) Minew shall not responsible for the customer's products or application.

9. Disclaimer

The factory has passed the ISO9001 quality management system, ISO14001 environmental management system and OAHS18001 occupational health and safety assessment . Each product has been rigorously tested (transmission power test, sensitivity test, power consumption test, stability test, aging test, etc.).

* NOTICES:

(1) The Bluetooth trade mark is owned by the Bluetooth SIG Inc. USA.

(2) All other trademarks listed herein are owned by their respective owners.

(3) All specifications are subject to change without notice.

(4) Please do not use this specification for produce, sell or illegal purpose without Minew's authorization.

(5) Minew have right to interpret all the items above.

10. Contact information

Manufacturer: Shenzhen Minew Technologies Co., Ltd.

Tel: 0086-755-2103 8160

Email: info@Minew.com

URL: <https://www.minew.com/>

Address:

3rd Floor, Building I,
Gangzhilong Science Park,
Qinglong Road, Longhua District,
Shenzhen 518109,
China